



### **CLASSIC FEATURES:-**

- \* Maximum 2 analogue input with any combination.
- \* Universal input type for thermocouple J, K, R, S, T, RTD(PT-100), 4 - 20mA, 0 - 10V, please specify input while order.
- \* Automatic cold junction compensation for thermocouples.
- \* Automatic wirelength compensation for long wire RTD inputs.
- \* Very high accuracy 0.25%, With software linearization.
- \* Temperature sensor break, 'oPEN' indication.
- \* Under Range 'undr' & over range 'OuEr' indication for 4 to 20 mA & 0 - 10VDC linear input.
- \* Easy on-line field calibration by user by front keys.
- \* Reading offset facility to compensate the field error.
- \* Provision for square root extraction for flow measurement.
- \* Facility to bypass the facility for square root extraction.
- \* 101 Segment Bargraph for each input.
- \* Optional 4-20mA retransmission output.
- \* Two independent set points individual for each channels.
- \* Hysterisis : Programmable for relay output.
- \* Output - 1 NO/C/NC Relay contact rated 230 V/5Amp. for both relay 1 (ALARM 1) & relay 2 (ALARM 2) for inputs.
- \* Programmable latch & non-latch facility for common relay & relay Indication.
- \* Optional RS-232 / RS-485 serial port with modbus RTU protocol.
- \* Optional on line Data Acquisition computer software.
- \* Optional Parallel port for direct printout on 80 column dot-matrix / printer without need of computer(PC).

### **DESCRIPTION:-**

The TC-403B Bargraph Indicator is a part of TC series intelligent Microcontroller based Indicator instrument for realization of economic solution of process control problem It show process in and with bargraph to replace conventional analog indicating instrument all the parameters are programmable through front keypad. It is mostly used in:

- \* Primary & auxiliary temperature & data monitoring of boiler.
- \* Iron & steel industries for soaking pits oxygen plate, smelter plant.
- \* Sugar industry for Pan alternation, dailer automation.
- \* Chemical & petrochemical industry.

## TECHNICAL SPECIFICATIONS :-

The Dual Channel Bar Graph Indicator is capable of monitoring 2 separate input variables. essential technical features are as below:

\* **No. Of Channels** : Two independent channels.

\* **Input & Accuracy** : TC403-B has 4 - 20mA fixed input. Thermocouple & RTD are optional.

INPUT	RANGE		RESOLUTION	ACCURACY
	Minimum	Maximum	NORMAL	FULL SCALE
PT-100 (3 WIRE)	-99.9°C	500.0°C	0.1	0.25%
J (FE-CON)	-99.9°C	450.0°C	0.1	0.25%
K(Cr-Al)	-99.9°C	500.0°C	0.1	0.25%
K(Cr-Al)	-100°C	1200°C	1	0.25%
R(PT-13%Rh/PT), S(PT-10%Rh/PT)	0°C	1750°C	1	0.25%
T(Cu / Con)	0.0°C	400.0°C	0.1	0.25%
4 to 20mA / 0 to 20mA	-999	9999	Programmable By user	0.25%
0 to 10 VDC, 0 to 50mVDC	-999	9999		

\* **Compensation** : Automatic cold junction compensation for thermocouples. Automatic wirelength compensation for long wire RTD inputs.

\* **Display** : 4 digit seven segment L.E.D. Display of 8mm. height for each channel.

\* **Bargraph Display** : 101 Segment Bargraph (RED colour L.E.D) for each channel

\* **Alarm** : AL1 & AL2 Alarm indication for each channel with H / L, H / VH, L / VL.

\* **Output** : Four independent & isolated relay contacts in NO/C/NC.

\* **Square root** : It has provision of Square root extraction of input signal for each. It has provision of by-passing the facility for square root extraction.

\* **Hysterisis** : Selectable through keypad.

\* **Power Supply** : 230VAC  $\pm 10\%$  50Hz or 110VAC  $\pm 10\%$ , 50Hz

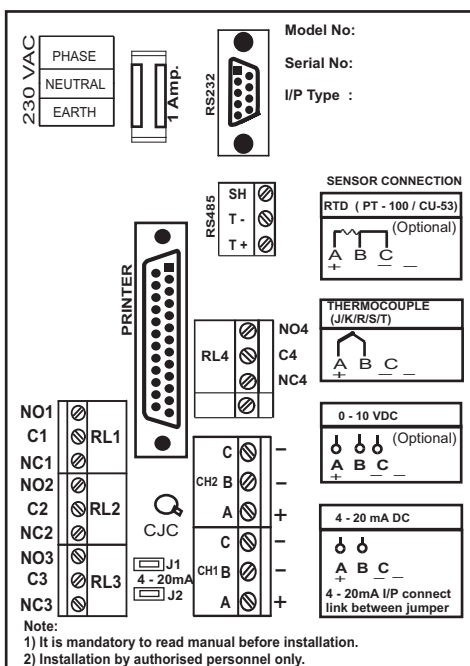
\* **Mounting** : Panel Mounting, metal body

\* **Dimension** : 72(W) X 144(H) X 370(D) in mm.

\* **Cutout** : 68(W) X 138(H) in mm.

\* **Weight** : 2Kg.

### BACK VIEW



### ORDERING INFORMATION:

